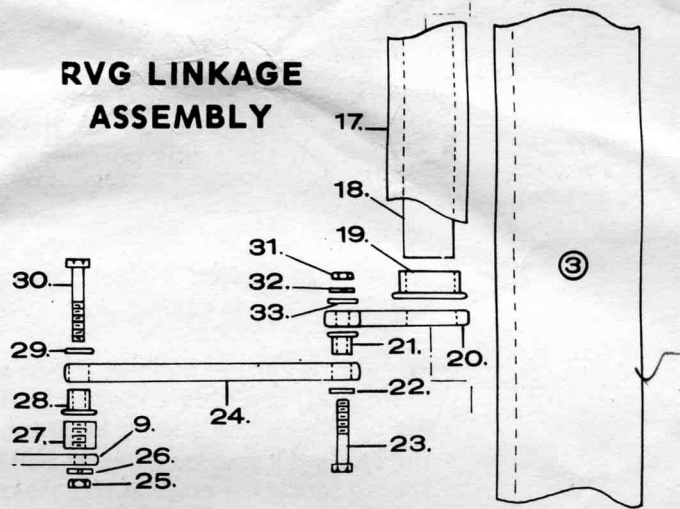
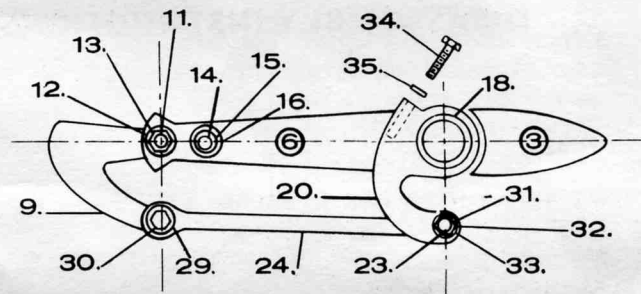


### RVG LINKAGE ASSEMBLY



### TRIM TAB-RUDDER-SKEG-LINKAGE ALIGNMENT



### RVG PARTS LIST (Rudder - Trim tab - Linkage)

Identification numbers on rudder assembly and linkage assembly drawings and on alignment drawing are correlated.

#### Part Number

1. 3/8" x 1-1/2" S/S allen bolt
2. Upper rudder bearing
3. Skeg
4. Nbr. 10 - 24 S/S slotted screw
5. Lower rudder bearing
6. Rudder
7. Lower trim tab bearing
8. 1/4" x 3" bronze hex wood screw
9. Trim tab
10. Upper trim tab bearing
11. Upper trim tab stud
12. 5/16" S/S lock washer
13. 5/16" S/S hex nut
14. 5/16" x 1-1/4" S/S hex bolt
15. 5/16" S/S flat washer
16. Shock cord stud
17. Main support shaft

\* Standard hardware item.

#### Part Number

18. Drive shaft
19. Lower drive shaft bearing
20. Rocker arm
21. Linkage bushing
22. 5/16" S/S flat washer
23. 5/16" x 1-3/4" S/S hex bolt
24. Lever
25. 5/16" S/S hex nut
26. 5/16" S/S lock washer
27. Spacer (threaded)
28. Linkage bushing
29. 5/16" S/S flat washer
30. 5/16" x 2" S/S hex bolt
31. 5/16" S/S hex nut
32. 5/16" S/S lock washer
33. 5/16" S/S flat washer
34. 1/4" x 1" S/S hex bolt
35. 1/4" S/S flat washer